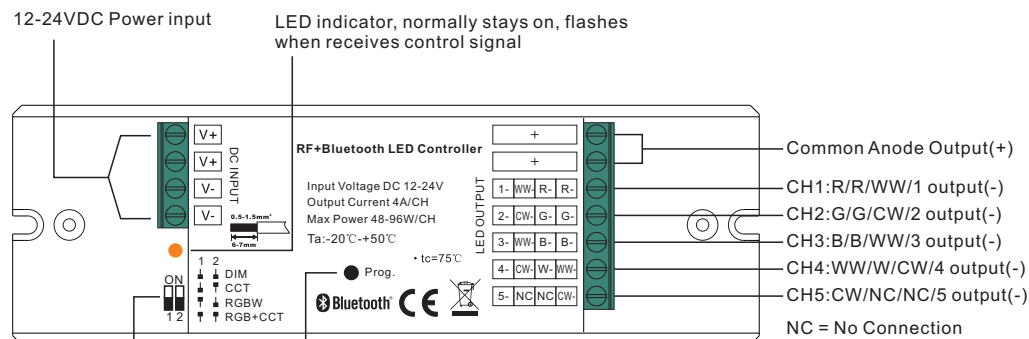


# 4 in 1 Universal RF+Bluetooth LED Controller



**Important:** Read All Instructions Prior to Installation

## Function introduction



Dial switch for device mode selection, DIM, CCT, RGBW and RGB+CCT 4 modes are available, factory default is RGB+CCT mode

Program Key: for pairing & delete pairing with RF+Bluetooth remotes

## Product Data

Input Voltage	Output Current	Output Power	Remarks	Size(LxWxH)	Ambient Temperature	Max. Casing Temperature
12-24VDC	4A/CH	48-96W/CH	Constant voltage	145x46.5x16mm	-20°C ~ +50°C	75°C

- 4 in 1 universal RF+Bluetooth LED controller, radio frequency: 2.4GHz
- 4 different device modes DIM, CCT, RGBW and RGB+CCT in 1 controller, and selectable by dial switch
- Enables to control ON/OFF, light intensity, color temperature, RGB color of connected LED lights
- Ultra powerful to control Single Color, CCT, RGBW, RGB+CCT LED strips
- Controlled through both smart App and remote controls, no gateway required for local control
- The controller can be configured as six different light types: RGB+CCT, RGBW, RGB, CCT, DIM, ON/OFF using the smart APP
- Easy & quick pairing to the smart App by simply pushing the Prog. button
- Mesh network, much longer control distance, transmits received signal to neighbor devices
- Up to 30m transmission distance between every two neighbor devices
- Encrypted two-way communication, quick status feedback, safe & reliable data transmission
- Compatible with universal RF+Bluetooth remotes, each LED controller can pair to max. 8 remotes
- Cloud control is available for remote access, works with Amazon Alexa and Google Home
- Waterproof grade: IP20

## Safety & Warnings

- DO NOT install with power applied to device.
- DO NOT operate the dial switches for device mode selection with power applied to device.
- DO NOT expose the device to moisture.

## Operation

### Pair/delete the pairing with RF+Bluetooth remote

1. Do wiring according to connection diagram.
2. Pair LED controller with RF+Bluetooth remote: please refer to the instruction of the remote that you would like to pair with.
3. Delete the pairing:
  - (1) Wire up the LED controller correctly, power on.
  - (2) Press and hold down the “Prog.” button on the controller for over 3 seconds (or reset power of the device 8 times continuously if the button is not accessible to factory reset the device) until the connected light flashes, which means well deleted.

Note: factory resetting will restore all configured parameters of the device on the APP to factory default setting.

### Pair with smart APP

1. Do wiring according to connection diagram.
2. Download EasyThings APP from IOS APP Store or Android Google Play to your smart phone or tablet by searching “EasyThings”. (As shown in **Figure 1**)
3. Enable Bluetooth on your smart phone or tablet. (As shown in **Figure 2**)



Figure 1

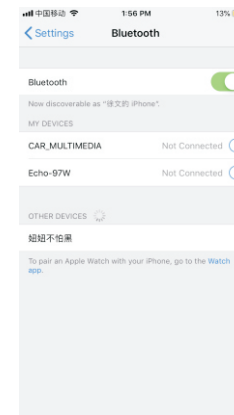


Figure 2

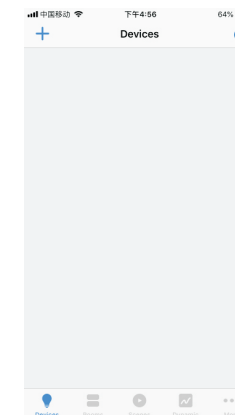


Figure 3

4. Run Easythings APP, tap add button “+” on the APP to add device, then choose “Discover devices” to discover device, then **short press the “Prog.” button on the LED controller twice (or reset power of the controller twice continuously)** to set the device into pairing to APP mode. (As shown in **Figure 3 & Figure 4 & Figure 5**)

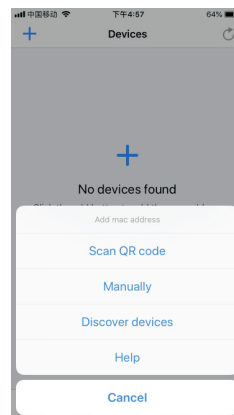


Figure 4

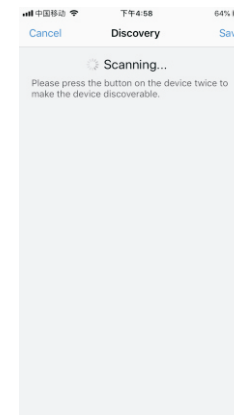


Figure 5

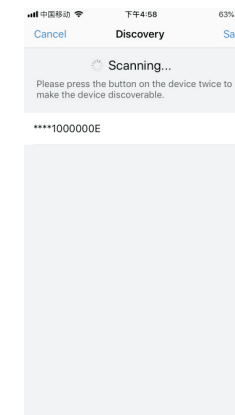


Figure 6

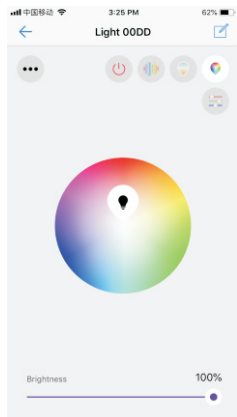
**Note:** multiple LED controllers can be discovered by the APP at the same time.

5. Once the device/devices are discovered, tick the device/devices and tap "Save" button, the device/devices will be added successfully. (as shown in **Figure 6**)

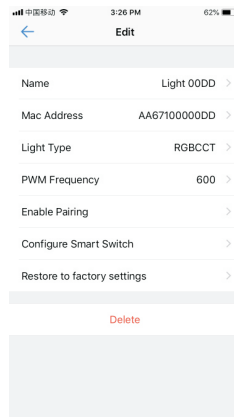
### Configure Light Type Using smart APP

1. Press and hold the device icon to enter into control interface, then tap button " " at upper right corner to enter into edit page of this device (As shown in **Figure 7** & **Figure 8**).

2. Then tap "Light Type" to enter light type configuration page, for this driver, it can be configured as 6 light types: **RGBCCT**, **RGBW**, **RGB**, **CCT**, **DIM**, **ON/OFF**. Once select a Light Type, tap " " at upper right corner to confirm, the connected light will flash to indicate successful configuration. (As shown in **Figure 8**)



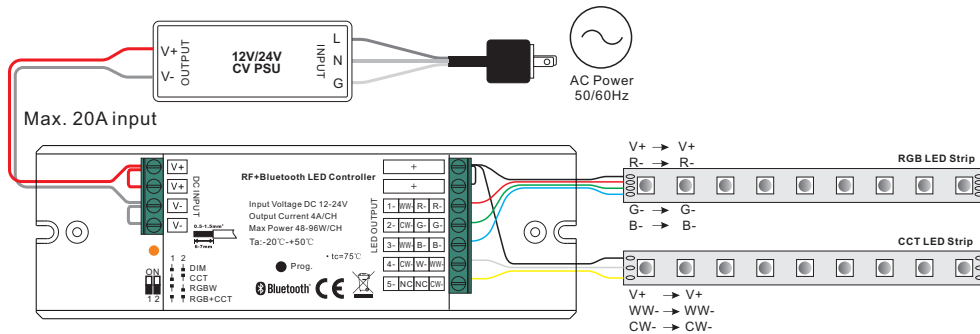
**Figure 7**



**Figure 8**

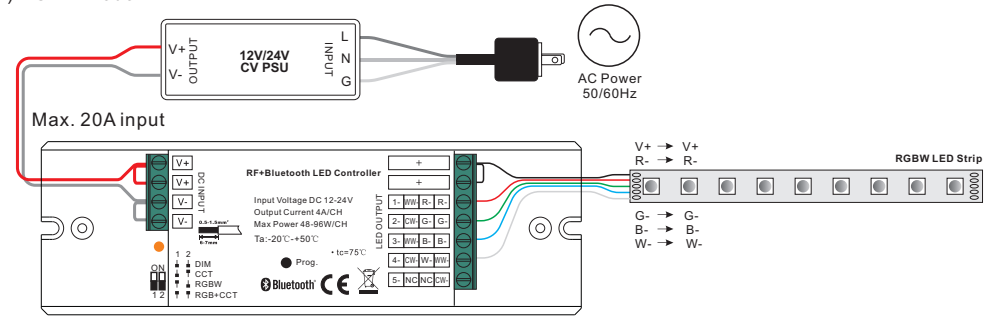
### Wiring Diagram

#### 1) RGB+CCT Mode



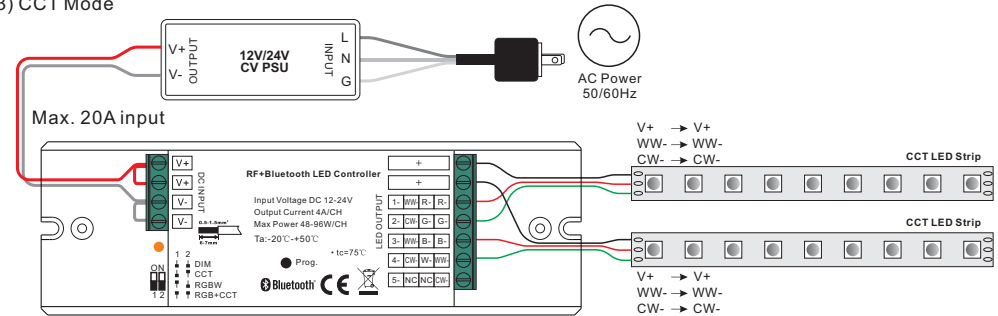
**Note:** please make sure the dial switches are at position for RGB+CCT mode as shown in above diagram.

#### 2) RGBW Mode



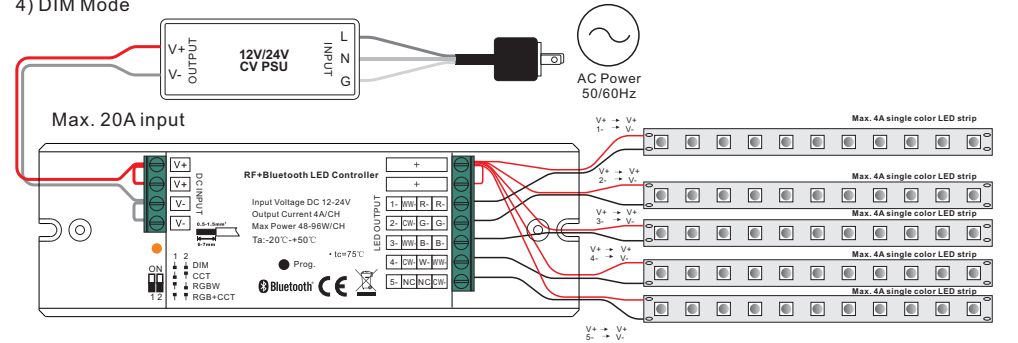
**Note:** please make sure the dial switches are at position for RGBW mode as shown in above diagram.

#### 3) CCT Mode



**Note:** please make sure the dial switches are at position for CCT mode as shown in above diagram.

#### 4) DIM Mode



**Note:** please make sure the dial switches are at position for DIM mode as shown in above diagram.

### Product Dimension

