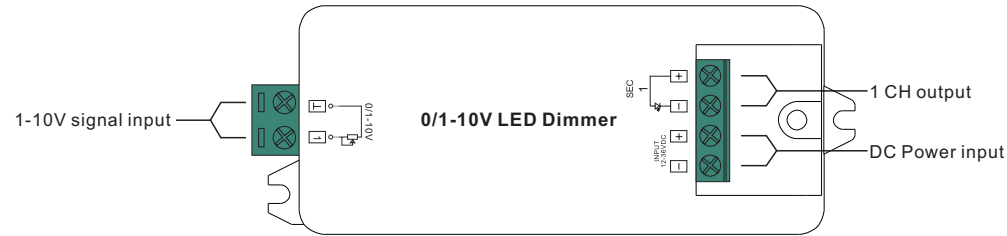


0/1-10V LED Dimmer



Important: Read All Instructions Prior to Installation

Function introduction



Product Data

No.	Input Voltage	Output Current	Output Power	Remarks	Size(LxWxH)
1	12-36VDC	1x8A	1x(96-288)W	Constant voltage	95x37x20mm
2	12-36VDC	1x350mA	1x(4.2-12.6)W	Constant current	95x37x20mm
3	12-36VDC	1x700mA	1x(8.4-25.2)W	Constant current	95x37x20mm

- With 1 Channel 0/1-10V signal Input, 1 Channel PWM Output
- Analog dim driver, receive standard 0/1-10V dim signal input
- 0-100% dimming range via logarithmic characteristic , perfect for human's vision
- 256 levels of Grey scales, smoothly without any flash
- To work with power repeater to expand output unlimitedly.
- Can coordinate with 0/1-10V regulator or 0/1-10V dimmer to do analog dimming ,smooth dimming curve, be in direct proportion to voltage curve of regular.
- Waterproof grade: IP20

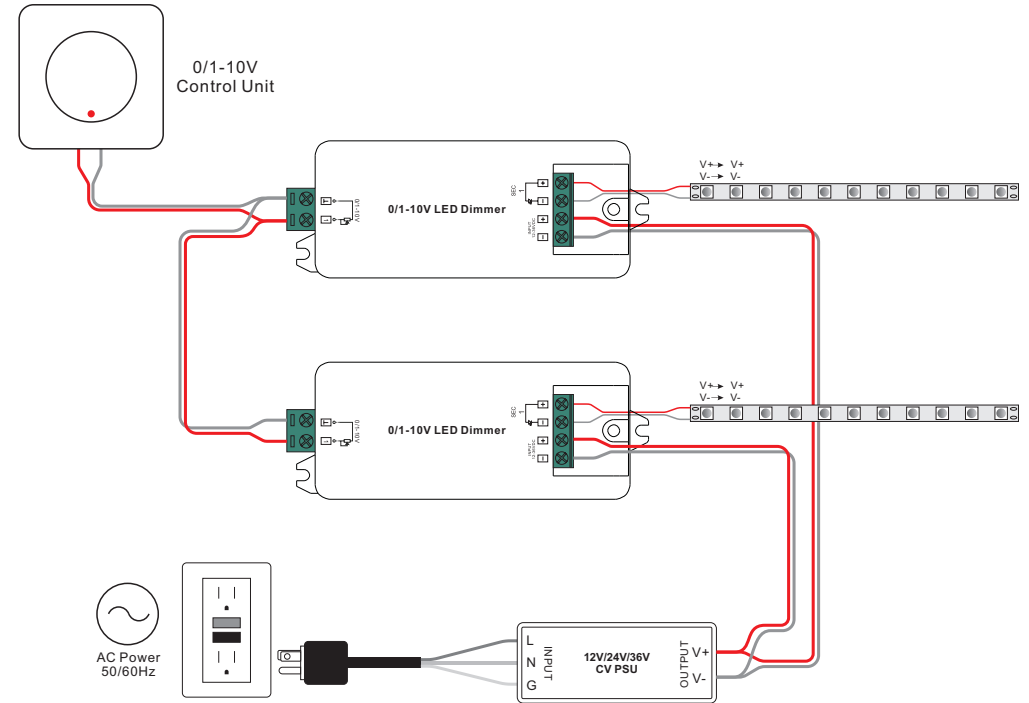
Safety & Warnings

- DO NOT install with power applied to device.
- DO NOT expose the device to moisture.

Operation

Please refer to the user manual of connected 0/1-10V control unit for detailed switch and dimming operation.

Wiring Diagram



Product Dimension

